


Qty.	Description
1	<p data-bbox="204 338 568 369">CM 3-6 A-R-A-E-AVBE C-A-A-N</p> <div data-bbox="292 450 501 584" style="text-align: center;">  </div> <p data-bbox="204 663 469 689">Product No.: 96806805</p> <p data-bbox="204 723 1453 824">Compact, reliable, horizontal, multistage, end-suction centrifugal pump with axial suction port and radial discharge port. The shaft, impellers and chambers are made of stainless steel. The inlet and discharge parts are made of cast iron. The mechanical shaft seal is a special designed, unbalanced O-ring seal. Pipework connection is via internal Whitworth pipe threads, Rp (ISO 7/1).</p> <p data-bbox="204 864 1094 891">The pump is fitted with a 1-phase, foot-mounted, fan-cooled asynchronous motor.</p> <p data-bbox="204 954 316 981">Controls:</p> <p data-bbox="204 983 639 1010">Frequency converter: NONE</p> <p data-bbox="204 1043 288 1070">Liquid:</p> <p data-bbox="204 1072 699 1189">Pumped liquid: Water Liquid temperature range: -20 .. 90 °C Selected liquid temperature: 20 °C Density: 998.2 kg/m³</p> <p data-bbox="204 1223 328 1249">Technical:</p> <p data-bbox="204 1252 820 1397">Pump speed on which pump data are based: 2900 rpm Rated flow: 3.1 m³/h Rated head: 41.81 m Code for shaft seal: AVBE Curve tolerance: ISO9906:2012 3B</p> <p data-bbox="204 1431 320 1458">Materials:</p> <p data-bbox="204 1460 740 1637">Pump housing: Cast iron EN-GJL-200 ASTM A48-25A Impeller: Stainless steel EN 1.4301 AISI 304</p> <p data-bbox="204 1671 344 1697">Installation:</p> <p data-bbox="204 1700 727 1935">Range of ambient temperature: -20 .. 55 °C Maximum operating pressure: 10 bar Max pressure at stated temp: 10 bar / 40 °C 6 bar / 90 °C Type of connection: Rp Size of inlet connection: 1 inch Size of outlet connection: 1 inch Outlet position: 12</p> <p data-bbox="204 1968 379 1995">Electrical data:</p> <p data-bbox="204 1998 660 2114">Motor standard: IEC Frame size: 80A Rated power - P2: 0.67 kW Mains frequency: 50 Hz</p>



Company name:

Created by:

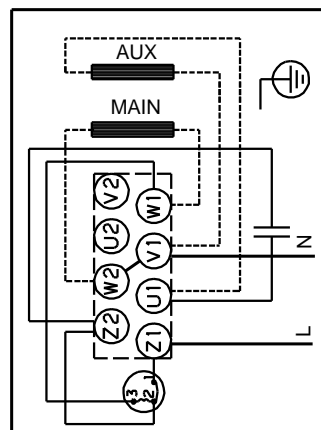
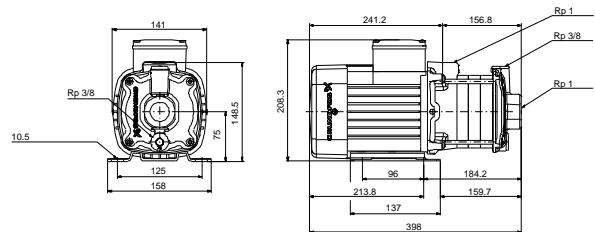
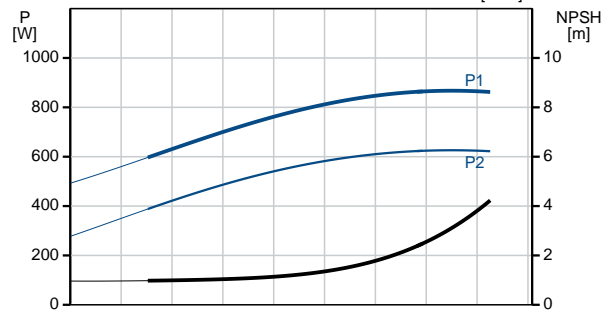
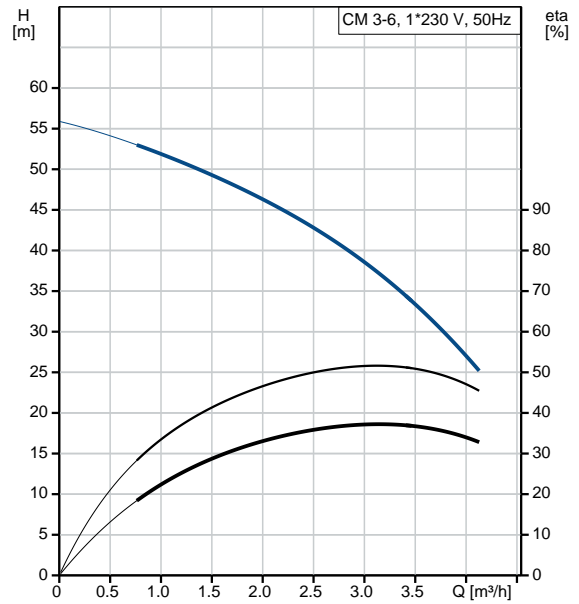
Phone:

Date:

29/04/2020

Qty.	Description
	<p data-bbox="201 338 735 636">Suitable for 50/60 Hz: N Phases: 1 Rated voltage: 220-240 V Service factor: 1.00 Rated current: 4.4-4.0 A Starting current: 390-390 % Rated speed: 2720-2800 rpm Enclosure class (IEC 34-5): IP55 Insulation class (IEC 85): F Built-in motor protection: PTO</p> <p data-bbox="201 667 839 842">Others: Terminal box position: 12 Minimum efficiency index, MEI $\eta_{\%}$: 0.7 Net weight: 14.2 kg Gross weight: 16.7 kg Approvals: CE,WRAS,ACS,TR,EAC</p>

Description	Value
General information:	
Product name:	CM 3-6 A-R-A-E-AVBE C-A-A-N
Product No:	96806805
EAN number:	5700310917528 5700310917528
Technical:	
Pump speed on which pump data are based:	2900 rpm
Rated flow:	3.1 m ³ /h
Rated head:	41.81 m
Impellers:	6
Code for shaft seal:	AVBE
Curve tolerance:	ISO9906:2012 3B
Pump version:	A
Model:	A
Materials:	
Pump housing:	Cast iron EN-GJL-200 ASTM A48-25A
Impeller:	Stainless steel EN 1.4301 AISI 304
Material code:	A
Code for rubber:	E
Installation:	
Range of ambient temperature:	-20 .. 55 °C
Maximum operating pressure:	10 bar
Max pressure at stated temp:	10 bar / 40 °C 6 bar / 90 °C
Type of connection:	Rp
Size of inlet connection:	1 inch
Size of outlet connection:	1 inch
Outlet position:	12
Connect code:	R
Liquid:	
Pumped liquid:	Water
Liquid temperature range:	-20 .. 90 °C
Selected liquid temperature:	20 °C
Density:	998.2 kg/m ³
Electrical data:	
Motor standard:	IEC
Frame size:	80A
Rated power - P2:	0.67 kW
Mains frequency:	50 Hz
Suitable for 50/60 Hz:	N
Phases:	1
Rated voltage:	220-240 V
Service factor:	1.00
Rated current:	4.4-4.0 A
Starting current:	390-390 %
Rated speed:	2720-2800 rpm
Enclosure class (IEC 34-5):	IP55
Insulation class (IEC 85):	F
Built-in motor protection:	PTO
Controls:	
Frequency converter:	NONE
Others:	
Terminal box position:	12





Company name:

Created by:

Phone:

Date:

29/04/2020

Description	Value
Minimum efficiency index, MEI %:	0.7
Net weight:	14.2 kg
Gross weight:	16.7 kg
Approvals:	CE,WRAS,ACS,TR,EAC