

Customer

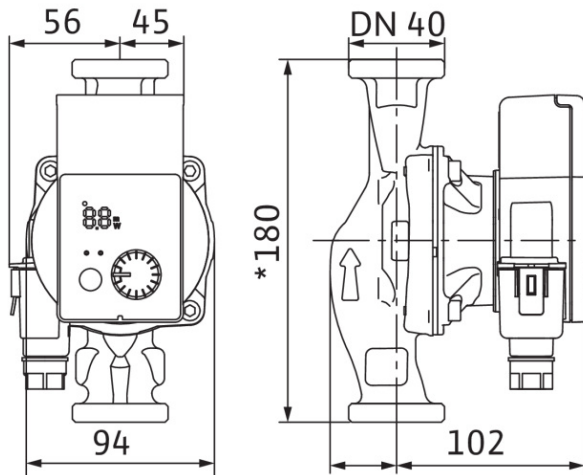
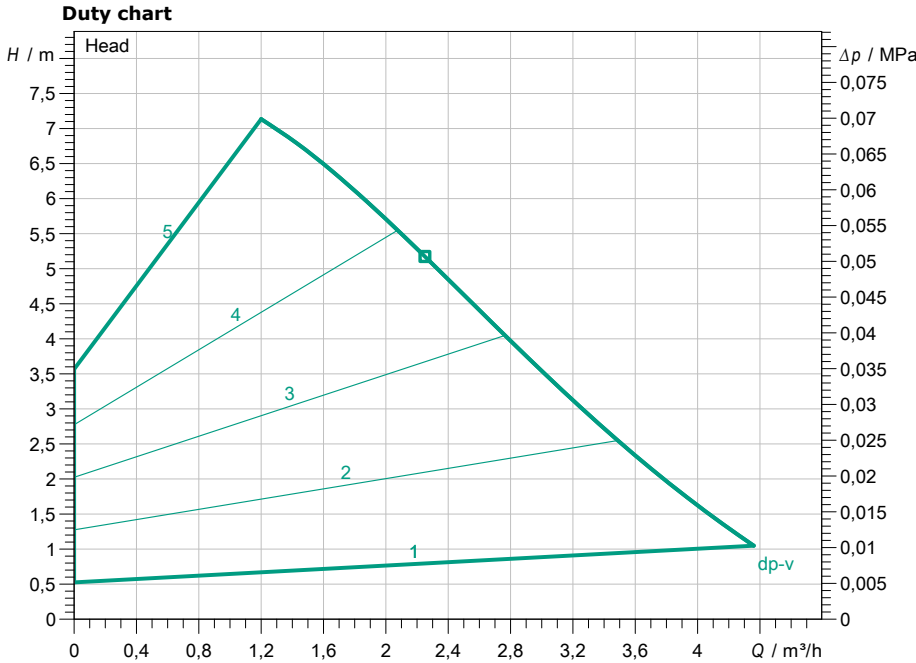
Technical data

Glandless standard high-efficiency pump Yonos PICO 40/1-8

Project name

Project ID
Installation location
Customer pos.no

Date 2020-04-17



*Yonos PICO 15/... = 130 mm
Yonos PICO .. /...-130

Requested data

Flow
Head
Media Water 100 %
Fluid temperature 20,00 °C
Density 998,30 kg/m³
Kin. viscosity 1,00 mm²/s

Hydraulic data (Duty point)

Flow
Head
Power input P1

Product data

Glandless standard high-efficiency pump
Yonos PICO 40/1-8
Kind of operation dp-v
Max. operating pressure 0,6 MPa
Fluid temperature -10 °C ... +95 °C
Max. ambient temperature 40 °C
Minimum suction head at 50 / 95 / 110°C 0,5 / 3 / 10

Motordata per Motor/Pump

Motor design EC motor
Energy efficiency index (EEI)
Mains connection 1~ 230 V / 50 Hz
Permitted voltage tolerance ±10 %
Max. speed
Power input P1 0,08 kW
Current consumption 0,7 A
Degree of protection IPX2D
Insulation class F
Motor protection
Electromagnetic compatibility EN 61800-3
Emitted interference EN 61000-6-3
Interference resistance EN 61000-6-2
Threaded cable connection

Fitting dimensions

Pipe connection on the suction side DN 40, PN6
Pipe connection on the pressure side DN 40, PN6
Port to Port 220 mm

Materials

Pump housing EN-GJL-200
Impeller PP-GF40
Shaft 1.4122
Bearing Carbon, metal-impregnated

Information for order placements

Weight approx. 4,7 kg
Item number 4224817