
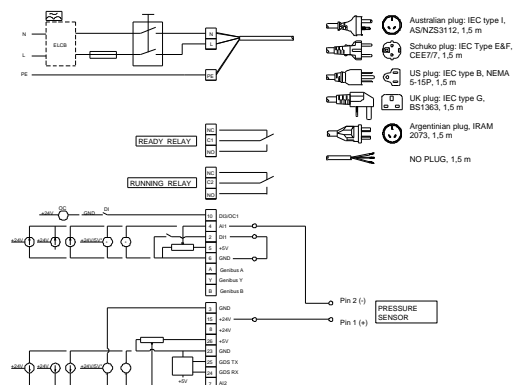
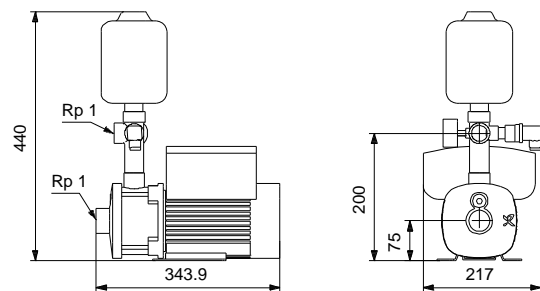
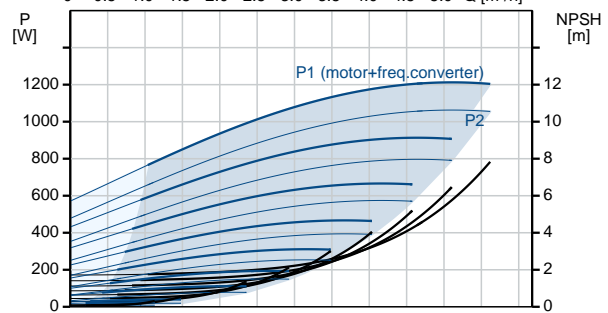
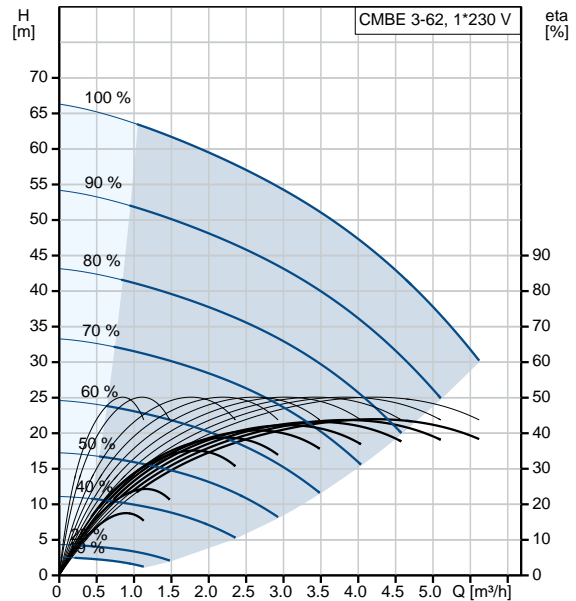


Qty.	Description														
1	<p data-bbox="199 338 478 369">CMBE 3-62 I-U-C-C-D-A</p> <div data-bbox="308 405 459 618" style="text-align: center;">  </div> <p data-bbox="199 660 466 689">Product No.: 98374701</p> <p data-bbox="199 719 863 1014">The Grundfos CME Booster is a compact booster system for water supply in domestic applications. The integrated speed controller enables the CME Booster to keep constant pressure in the pipe system. A pressure sensor monitoring changes in the water consumption will signal to the speed controller to change the motor speed to adapt performance to the new state. The CME Booster is very easy to install. When the pipework has been installed, it is all a matter of plugging the unit into a socket, and the system is operational. The CME Booster consists of:</p> <ul data-bbox="199 1043 738 1164" style="list-style-type: none"> • CME pump with integrated frequency converter • 5-way valve • expansion tank • pressure gauge <p data-bbox="199 1193 304 1223">Features</p> <ul data-bbox="199 1225 702 1373" style="list-style-type: none"> • Constant pressure, integrated speed control • compact • robust, stainless steel • easy installation • dry run protection <p data-bbox="199 1402 411 1431">Thermal protection</p> <p data-bbox="199 1433 837 1550">CME Booster pumps require no external motor protection. The MGE motor incorporates thermal protection against slow overloading and blocking (IEC 34.11: TP 211).</p> <p data-bbox="199 1579 339 1608">Applications</p> <p data-bbox="199 1610 799 1668">Grundfos CMBE Booster is mainly used for domestic and light commercial water supply or booster systems.</p> <p data-bbox="199 1697 247 1727">NB:</p> <p data-bbox="199 1729 1399 1758">Suction lift: Max. 1 m, including suction-pipepressure loss at a liquid temperature of +20 °C. (not self-priming)</p> <p data-bbox="199 1787 288 1816">Liquid:</p> <table data-bbox="199 1818 699 1939" style="width: 100%;"> <tr> <td>Pumped liquid:</td> <td>Water</td> </tr> <tr> <td>Liquid temperature range:</td> <td>0 .. 60 °C</td> </tr> <tr> <td>Selected liquid temperature:</td> <td>20 °C</td> </tr> <tr> <td>Density:</td> <td>998.2 kg/m³</td> </tr> </table> <p data-bbox="199 1968 328 1998">Technical:</p> <table data-bbox="199 2000 821 2085" style="width: 100%;"> <tr> <td>Pump speed on which pump data are based:</td> <td>3780 rpm</td> </tr> <tr> <td>Rated flow:</td> <td>4.2 m³/h</td> </tr> <tr> <td>Rated head:</td> <td>45.2 m</td> </tr> </table>	Pumped liquid:	Water	Liquid temperature range:	0 .. 60 °C	Selected liquid temperature:	20 °C	Density:	998.2 kg/m ³	Pump speed on which pump data are based:	3780 rpm	Rated flow:	4.2 m ³ /h	Rated head:	45.2 m
Pumped liquid:	Water														
Liquid temperature range:	0 .. 60 °C														
Selected liquid temperature:	20 °C														
Density:	998.2 kg/m ³														
Pump speed on which pump data are based:	3780 rpm														
Rated flow:	4.2 m ³ /h														
Rated head:	45.2 m														

Qty.	Description
	<p>Primary shaft seal: AVBE</p> <p>Approvals and markings: CE,EAC,MORO</p> <p>Curve tolerance: ISO9906:2012 3B</p> <p>Return valve: YES</p> <p>Start pressure: Integrated Frequency converter</p> <p>Materials:</p> <p>Pump housing: Stainless steel DIN W.-Nr. 1.4301 AISI 304</p> <p>Impeller: Stainless steel DIN W.-Nr. 1.4301 AISI 304</p> <p>Rubber: EPDM</p> <p>Installation:</p> <p>Maximum ambient temperature: 55 °C</p> <p>Flange standard: WHITWORTH THREAD RP</p> <p>Pump inlet: Rp 1</p> <p>Pump outlet: Rp 1</p> <p>Electrical data:</p> <p>Rated power - P2: 1.1 kW</p> <p>Mains frequency: 50 / 60 Hz</p> <p>Rated voltage: 1 x 200-240 V</p> <p>Maximum current consumption: 6.70-5.60 A</p> <p>Rated speed: 360-4000 rpm</p> <p>Enclosure class (IEC 34-5): IP55</p> <p>Insulation class (IEC 85): F</p> <p>Type of cable plug: SCHUKO</p> <p>Mains cable: 1.5 m</p> <p>Tank:</p> <p>Tank volume: 2 l</p> <p>Others:</p> <p>Net weight: 17.1 kg</p> <p>Gross weight: 27.2 kg</p> <p>Danish VVS No.: 385185362</p> <p>Finnish LVI No.: 4925860</p> <p>Norwegian NRF no.: 9040036</p> <p>Country of origin: HU</p> <p>Custom tariff no.: 84137075</p>

Description	Value
General information:	
Product name:	CMBE 3-62 I-U-C-C-D-A
Product No:	98374701
EAN number:	5711493909415
Price:	1.762,00 EUR
Technical:	
Pump speed on which pump data are based:	3780 rpm
Rated flow:	4.2 m ³ /h
Rated head:	45.2 m
Impellers:	4
Primary shaft seal:	AVBE
Approvals and markings:	CE,EAC,MORO
Curve tolerance:	ISO9906:2012 3B
Model:	A
Return valve:	YES
Start pressure:	Integrated Frequency converter
Materials:	
Pump housing:	Stainless steel DIN W.-Nr. 1.4301 AISI 304
Impeller:	Stainless steel DIN W.-Nr. 1.4301 AISI 304
Rubber:	EPDM
Installation:	
Maximum ambient temperature:	55 °C
Flange standard:	WHITWORTH THREAD RP
Pump inlet:	Rp 1
Pump outlet:	Rp 1
Liquid:	
Pumped liquid:	Water
Liquid temperature range:	0 .. 60 °C
Selected liquid temperature:	20 °C
Density:	998.2 kg/m ³
Electrical data:	
Rated power - P2:	1.1 kW
Mains frequency:	50 / 60 Hz
Rated voltage:	1 x 200-240 V
Maximum current consumption:	6.70-5.60 A
p max system:	10 bar
Rated speed:	360-4000 rpm
Enclosure class (IEC 34-5):	IP55
Insulation class (IEC 85):	F
Type of cable plug:	SCHUKO
Mains cable:	1.5 m
Tank:	
Tank volume:	2 l
Others:	
Net weight:	17.1 kg
Gross weight:	27.2 kg
Config. file no:	98390434
Danish VVS No.:	385185362
Finnish LVI No.:	4925860
Norwegian NRF no.:	9040036
Country of origin:	HU





Company name:

Created by:

Phone:

Date:

04/04/2020

Description

Value

Custom tariff no.:

84137075