

Qty. Description

1 **SEG.40.12.2.50B**



Note! Product picture may differ from actual product

Product No.: [96075905](#)

Non-self-priming, single-stage, centrifugal pump with horizontal discharge port, specifically designed for lift and pumping of wastewater containing discharge from toilets. The pump is equipped with a grinder system that grinds destructible solids into small pieces so that they can be led away through pipes of a relatively small diameter.

The surface of the pump is smooth to prevent dirt and impurities from sticking to the pump. A corrosion resistant stainless steel clamp is securing the motor to the pump housing and allow for ease of service of the pump.

For maintaining maximum pump efficiency during the pump life, a SmartTrim system allows easy adjustment of impeller clearance.

Controls:

Moisture sensor: without moisture sensors
 AUTOADAPT: NO

Liquid:

Pumped liquid: Any Newtonian liquid
 Liquid temperature range: 0 .. 40 °C
 Density: 998.2 kg/m³

Technical:

Type of impeller: GRINDER SYSTEM
 Primary shaft seal: SIC/SIC
 Secondary shaft seal: LIPSEAL
 Approvals on nameplate: PA-I
 Curve tolerance: ISO9906:2012 3B2

Materials:

Pump housing: Cast iron
 EN1561 EN-GJL-200
 Impeller: Cast iron
 EN1561 EN-GJL-200

Installation:

Maximum ambient temperature: 40 °C
 Maximum operating pressure: 6 bar
 Flange standard: DIN
 Pipework connection: DN40/50
 Pump outlet: DN 40
 Pressure rating: PN 10
 Maximum installation depth: 10 m
 Auto-coupling: 96076063

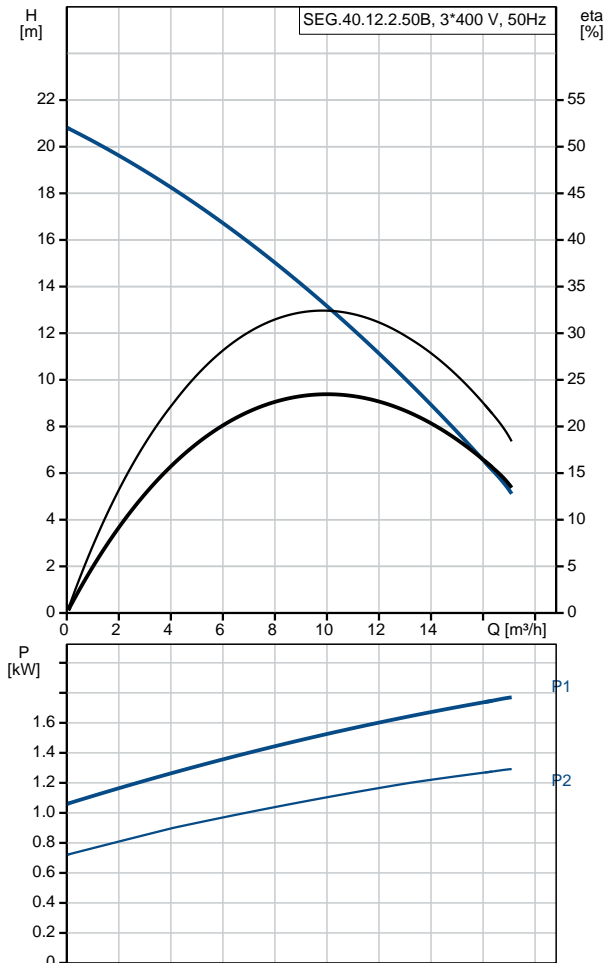
Qty. Description**Electrical data:**

Power input - P1:	1.6 kW
Rated power - P2:	1.2 kW
Mains frequency:	50 Hz
Rated voltage:	3 x 400-415 V
Voltage tolerance:	+6/-10 %
Max starts per. hour:	30
Rated current:	3 A
Starting current:	21 A
Rated current at no load:	2.1 A
Cos phi - power factor:	0.81
Cos phi - p.f. at 3/4 load:	0.72
Cos phi - p.f. at 1/2 load:	0.58
Rated speed:	2750 rpm
Moment of inertia:	0.0038 kg m ²
Motor efficiency at full load:	73 %
Motor efficiency at 3/4 load:	71 %
Motor efficiency at 1/2 load:	66 %
Number of poles:	2
Start. method:	direct-on-line
Enclosure class (IEC 34-5):	IP68
Insulation class (IEC 85):	F
Explosion proof:	no
Length of cable:	10 m
Cable type:	LYNIFLEX
Type of cable plug:	NO PLUG

Others:

Net weight:	38.2 kg
Danish VVS No.:	391342131
Swedish RSK No.:	5885829
Finnish LVI No.:	4836103
Norwegian NRF no.:	9045801

Description	Value
General information:	
Product name:	SEG.40.12.2.50B
Product No:	96075905
EAN number:	5700394850780
	5700394850780
Technical:	
Max flow:	18 m ³ /h
Head max:	20.7 m
Type of impeller:	GRINDER SYSTEM
Primary shaft seal:	SIC/SIC
Secondary shaft seal:	LIPSEAL
Approvals on nameplate:	PA-I
Curve tolerance:	ISO9906:2012 3B2
Materials:	
Pump housing:	Cast iron
	EN1561 EN-GJL-200
Impeller:	Cast iron
	EN1561 EN-GJL-200
Installation:	
Maximum ambient temperature:	40 °C
Maximum operating pressure:	6 bar
Flange standard:	DIN
Pipework connection:	DN40/50
Pump outlet:	DN 40
Pressure rating:	PN 10
Maximum installation depth:	10 m
Inst dry/wet:	SUBMERGED
Auto-coupling:	96076063
Liquid:	
Pumped liquid:	Any Newtonian liquid
Liquid temperature range:	0 .. 40 °C
Density:	998.2 kg/m ³
Electrical data:	
Power input - P1:	1.6 kW
Rated power - P2:	1.2 kW
Mains frequency:	50 Hz
Rated voltage:	3 x 400-415 V
Voltage tolerance:	+6/-10 %
Max starts per. hour:	30
Rated current:	3 A
Starting current:	21 A
Rated current at no load:	2.1 A
Cos phi - power factor:	0.81
Cos phi - p.f. at 3/4 load:	0.72
Cos phi - p.f. at 1/2 load:	0.58
Rated speed:	2750 rpm
Moment of inertia:	0.0038 kg m ²
Motor efficiency at full load:	73 %
Motor efficiency at 3/4 load:	71 %
Motor efficiency at 1/2 load:	66 %
Number of poles:	2
Start. method:	direct-on-line
Enclosure class (IEC 34-5):	IP68
Insulation class (IEC 85):	F
Explosion proof:	no
Motor protec:	THERMAL SWITCH
Thermal protec:	external
Length of cable:	10 m





Company name:

Created by:

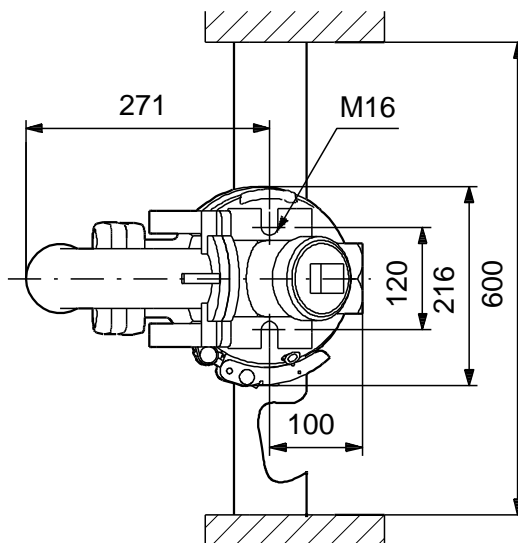
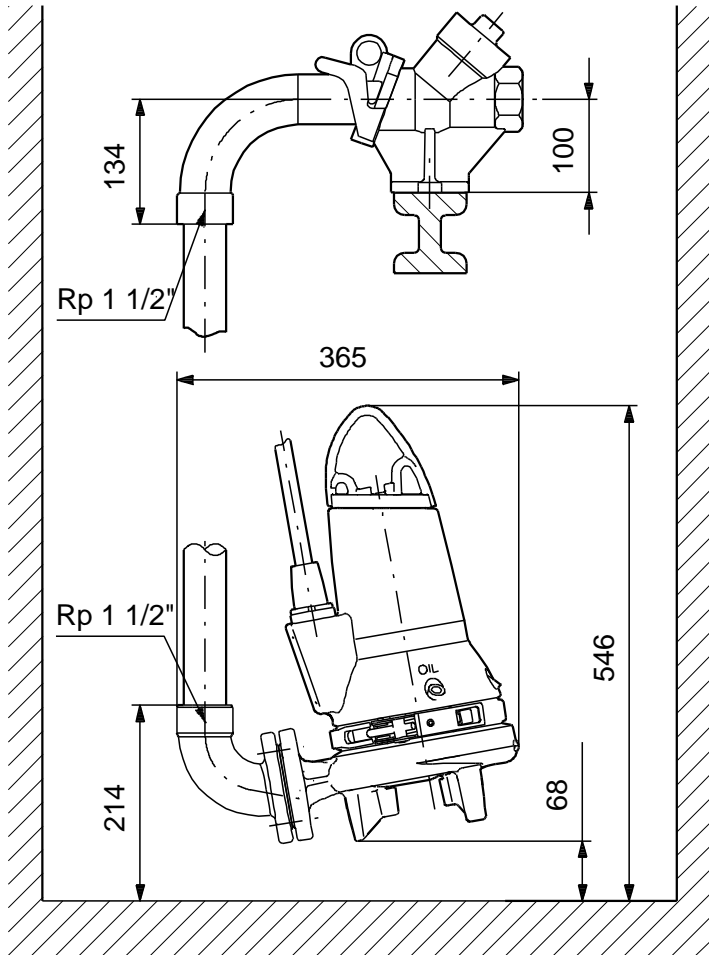
Phone:

Date:

04/04/2020

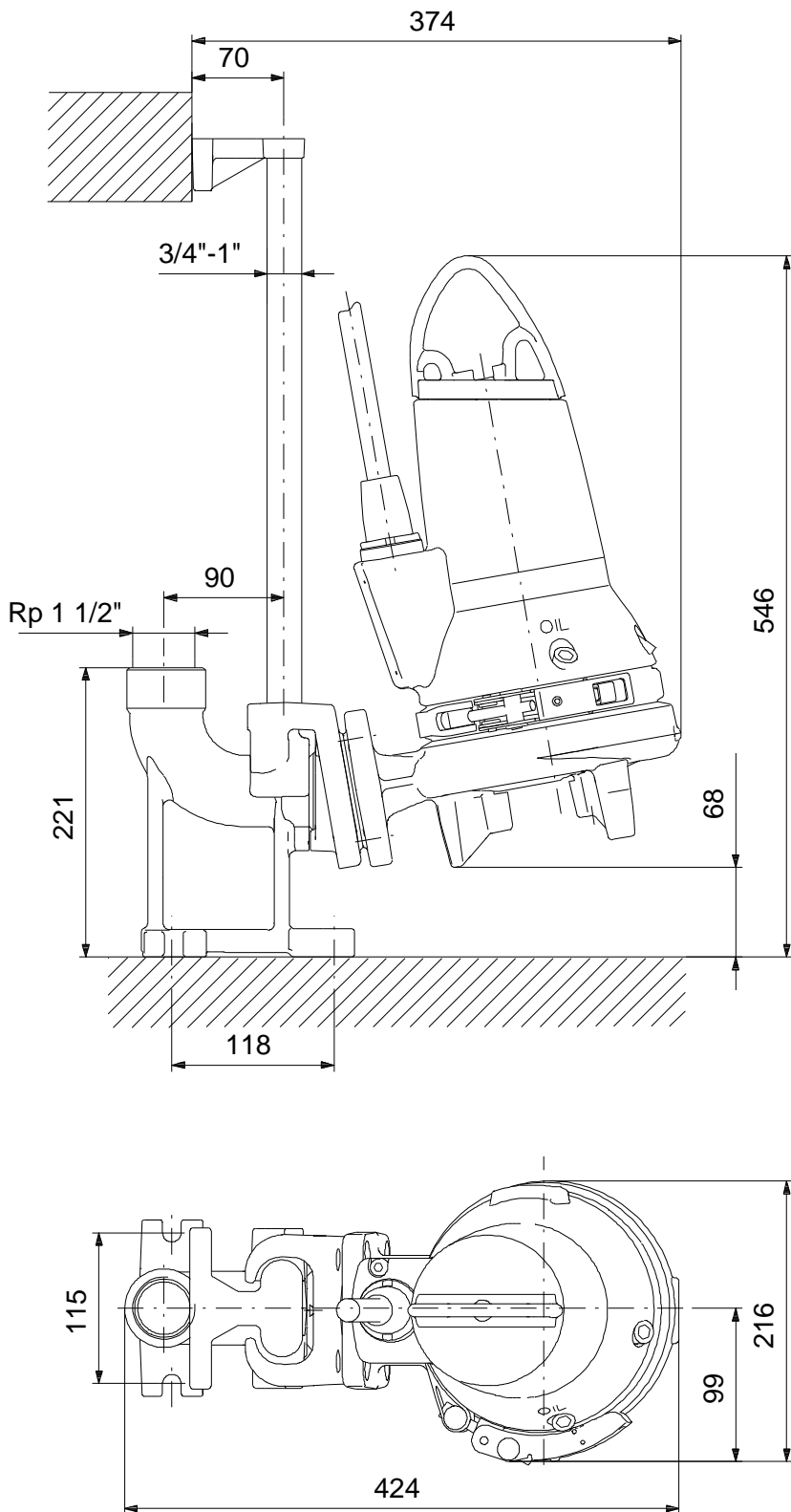
Description	Value
Cable type:	LYNIFLEX
Type of cable plug:	NO PLUG
Controls:	
Control box:	not included
Additional I/O:	External
Moisture sensor:	without moisture sensors
AUTOADAPT:	NO
Others:	
Net weight:	38.2 kg
Danish VVS No.:	391342131
Swedish RSK No.:	5885829
Finnish LVI No.:	4836103
Norwegian NRF no.:	9045801

96075905 SEG.40.12.2.50B 50 Hz



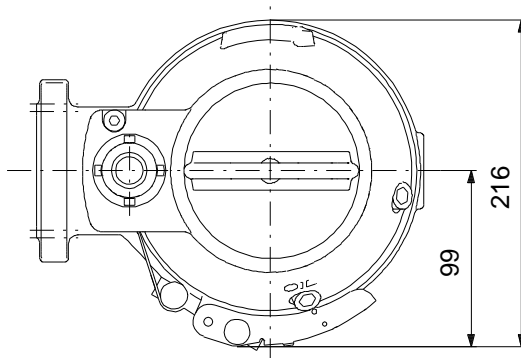
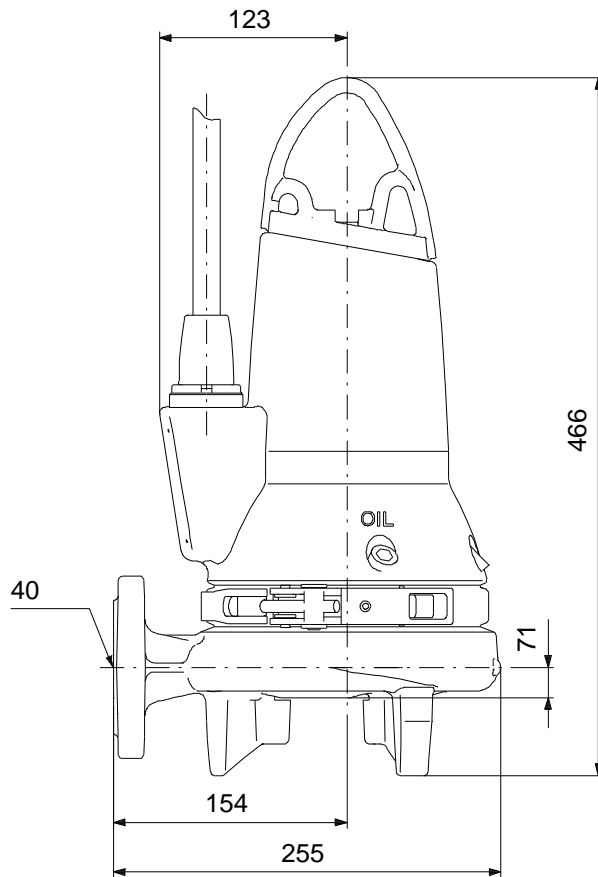
Note! All units are in [mm] unless others are stated.
Disclaimer: This simplified dimensional drawing does not show all details.

96075905 SEG.40.12.2.50B 50 Hz



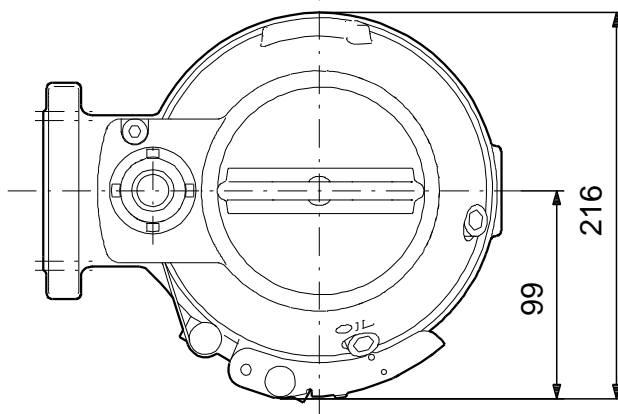
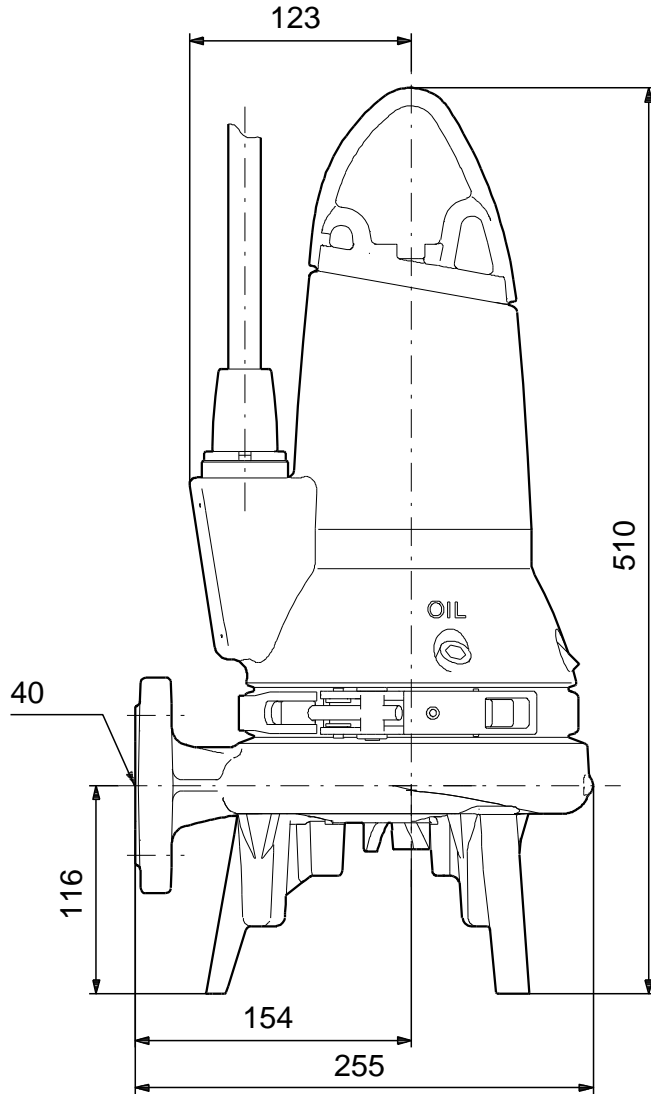
Note! All units are in [mm] unless others are stated.
Disclaimer: This simplified dimensional drawing does not show all details.

96075905 SEG.40.12.2.50B 50 Hz



Note! All units are in [mm] unless others are stated.
Disclaimer: This simplified dimensional drawing does not show all details.

96075905 SEG.40.12.2.50B 50 Hz



Note! All units are in [mm] unless others are stated.
Disclaimer: This simplified dimensional drawing does not show all details.