

Pressure Relief Valve 2115

for unvented (pressurised) water heaters



5

Field of application

The pressure relief valve type 2115 is designed to protect pressurised fluid systems against overpressurisation in unvented (pressurised) water heaters. The connection size has to be determined in accordance with the heating capacity of the heat-generating device to be protected as given in the table. The relief capacity is indicated in the table.

The opening pressure of the pressure relief valve indicated on the black seal pressed in the lifting handle of the valve has to be at least 20 % below the highest permissible operating pressure of the system to be protected.

The pressure relief valve type 2115 is suitable for use in solar heating systems.

Design

The operational parts in the pressure relief valve type 2115 are protected against direct contact with the medium (protection against corrosion). The

pressure relief valve can be lifted by means of the rotatable handle.

Materials

The body and the internal parts are made of a high-quality low-lead brass alloy (DN 15 - DN 32) or a dezincification resistant low-lead gunmetal alloy (DN 40 - DN 50); the spring cap is made of high-quality glass fibre reinforced synthetic material or zinc

die-casting. The diaphragm and the seat are made of heat and ageing resistant elastomeric synthetic material and the spring of corrosion protected spring steel wire.

Installation

The pressure relief valve type 2115 has to be installed in the cold-water inlet of the water heater. To avoid draining the water heater when the valve is serviced, it should be placed above the top surface of the water heater. There shall be no isolating valves, strainers or similar devices between the pressure relief valve and the water heater. The enclosed adhesive label with the inscription: „When heating, water has to escape from the relief pipe for safety reasons! Do not obturate!“ has to be placed close to the valve in a visible position. The diameter of the relief pipe must be at least equal to the nominal size of the valve outlet. The

relief pipe has to be installed with continuous incline. It can maximally include 2 bends and have a length of 2 meters. When a length exceeding 2 m is necessary, the pipe must be one size larger. Caution: more than 3 bends and a length exceeding 4 meters are not admissible. The outlet of the relief pipe must be free from obstruction, controllable and positioned in such a way that persons are not endangered. The relief pipe has to end in a drain device or over a tundish within the building. When the relief pipe ends over a tundish, it is indispensable that its drain pipe has at least the double cross section of the valve inlet.

Thoroughly rinse the pipe prior to installation. Install the pressure relief valve under consideration

of the flow direction (see arrow on the body) in compliance with the instructions.

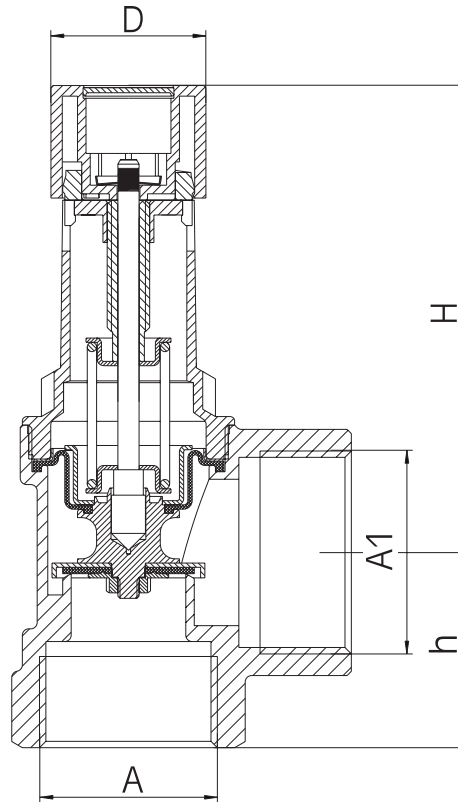
Technical data

Operating temperature:	max. 110 °C
Opening pressure:	2 - 10 bar
Standard setting:	6, 8, 10 bar
Mounting position:	preferably main axis vertical, inlet connection pieces facing downwards
Components approval number:	TÜV-SV-15-545-DN-W-N-p
Fluids:	water, neutral non adhesive fluids
Serial number:	2115... C € 0085

Maintenance

It is recommended to service the device on a regular basis. The correct function of the pressure relief valve should be checked by qualified personnel at initial operation and then once a year: turn the lifting handle in the direction of the arrow until you hear a click. Afterwards, the valve has to be closed tight. Should the valve drip constantly, it is very likely that impurities have built up in the seat. To clean

the valve seat and seal, unscrew the head part. The seat seal is exchangeable for valves with a connection size of DN 40 or more. After cleaning, refit the head part; the opening pressure remains unchanged after this operation. Pressure relief valves DN 15 and DN 20 with a damaged valve seat can be repaired by means of the exchange cartridge 2116, which makes them equivalent to a new valve.



Nominal size		DN 15	DN 20	DN 25	DN 32	DN 40	DN 50
Dimensions in mm	A	R 1/2"	R 3/4"	R 1"	R 1 1/4"	R 1 1/2"	R 2"
	A1	R 3/4"	R 1"	R 1 1/4"	R 1 1/2"	R 2"	R 2 1/2"
	H (mm)	50	52	79	110	176	195
	h (mm)	28	34	40	46	55	66
	D (mm)	31	31	49	51	75	75
Capacity of unvented (pressurized) water heaters	l	up to 200	201-1000	1001-5000	> 5001		
Heating capacity	max. kW	75	150	250			
Opening pressure	bar	max. relief capacity m ³ /h					
	4	2.8	3	9.5	14.3	19.2	27.7
	4,5	3	3.2	10.1	15.1	20.4	29.3
	5	3.1	3.4	10.6	16	21.5	30.9
	5,5	3.3	3.6	11.1	16.1	22.5	32.4
	6	3.4	3.7	11.6	17.5	41.2	50.9
	7	3.7	4	12.6	18.9	44.5	54.9
	8	4	4.3	13.4	20.2	47.6	58.7
9	4.2	4.6	14.3	21.4	50.5	62.3	
10	4.4	4.8	15	22.6	53.2	65.7	

Pressure relief valve 2115

Components / Order numbers

①

Head part

②

Body

③

Exchangeable cartridge 2116

DN 15+DN 20: 6.0 bar: 2116.20.000

DN 15+DN 20: 8.0 bar: 2116.20.001

DN 15+DN 20:10.0 bar: 2116.20.002

