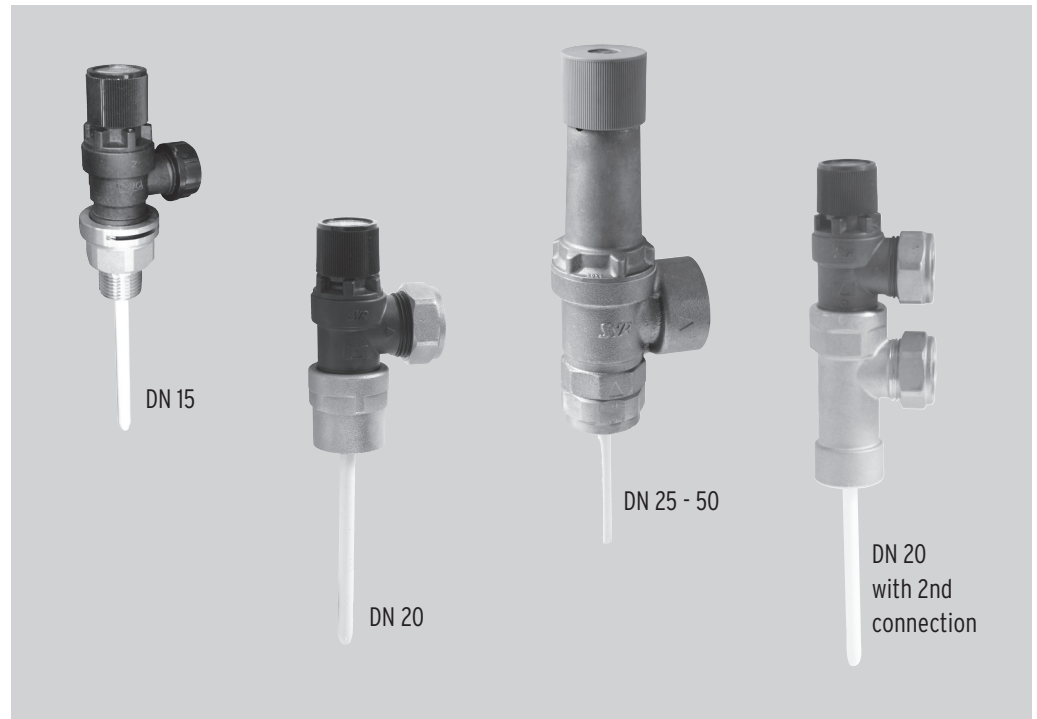


T&P Valve 2303

Temperature and pressure relief valve with stainless steel seat for hot water storage tanks



5

Field of application

The temperature and pressure relief valve (T&P Valve) type 2303 is used as a safety valve to reduce excess pressure stemming from overheated water and normal water pressure. This valve prevents

pressure from causing a tank to rupture or explode due to high pressures. The T&P Valve is used for unvented hot water tanks and hot water storage tanks.

Design

The operational parts in the T&P Valve type 2303 are protected against direct contact with the me-

dium (protection against corrosion). The valve can be lifted by means of the rotatable handle.

Materials

The body is made of low-lead dezincification resistant gunmetal alloy; the spring cap is made of high-quality glass fibre reinforced synthetic material. The diaphragm is made of heat and ageing

resistant elastomeric synthetic material and the spring of corrosion resistant spring steel wire. The valve seat is made of high quality stainless steel to avoid erosion.

Installation

It is essential that T&P Valves should be fitted in accordance with the following guidelines: The T&P Valve must be installed so that the temperature-sensing probe is directly immersed in the hottest water i.e. in the top six inches or top 20% of the capacity of the tank/vessel. Do not apply a wrench on any other surface than those spanner flats provided on the body when fitting the T&P Valve. As an alternative to a wrench, temporary screw a 300mm pipe into the T&P Valve's outflow. Drain lines should run to a safe place of disposal

i.e. outside or drain. It should have the same diameter than the valves outflow and be pitched with a downward slope not exceed 9 meters and have limited elbows preferably less than 4.0. On completion of the installation a pressure test of the system should be conducted at 1.5 times the normal operating pressure. For this purpose the P&T Valve should be removed. Do not leave the relief valve in place for the test and isolate the discharge line. This will cause damage to the valve and is therefore strictly forbidden.

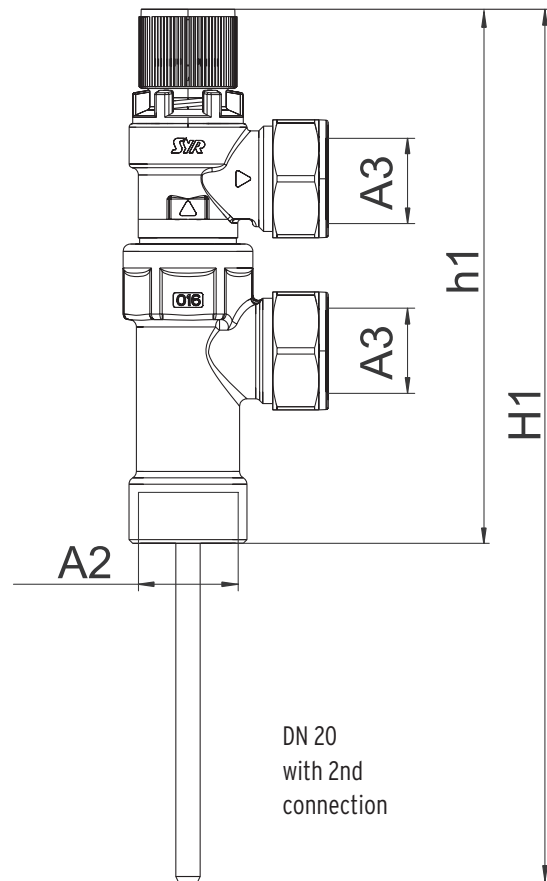
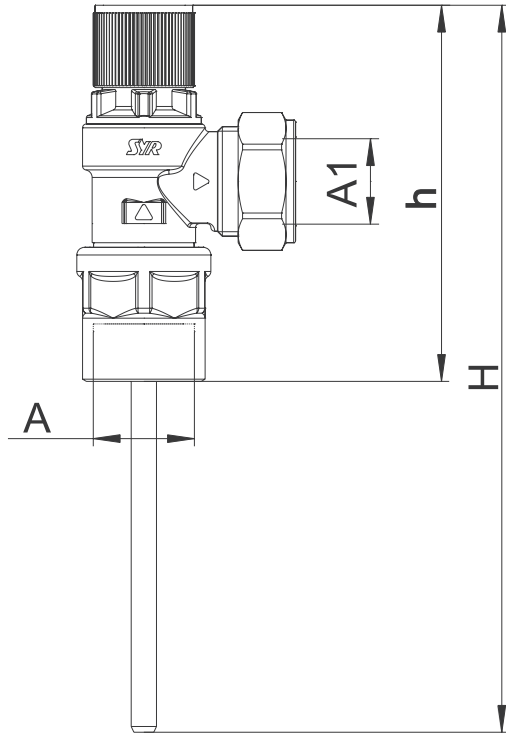
Technical data

Available Set pressure:	3 - 10 bar (other settings on request)
Mounting position:	any; discharge opening facing downwards
Fluid:	potable water
Connection size:	DN 15 - 50
Set temperature:	93 - 98 °C
Serial-Nr.:	2303 ...

Maintenance

When the system is in operation a plumber should check the valve's operation annually. Should the T&P Valve drip constantly the most likely cause is that the valve's seat has been clogged. Depressurise the system to carry out service works: isolate the cold water supply and drain the hot water pipes. Then, maintenance works on the valve can be carried out.

To clean the valve, unscrew the cap and the seat can easily be cleaned. After cleaning, refit the cap into the seat and screw tightly. This cleaning process will not have altered the response pressure. Whenever the valve's seat gets damage due to aggressive water, the exchangeable cartridge can be replaced with the appropriate replacement.



Nominal size	DN 15	DN 20	DN 25	DN 32	DN 40	DN 50
A	R $\frac{1}{2}$ "	$\frac{3}{4}$ " female / male	1" female	1 $\frac{1}{4}$ " female	1 $\frac{1}{2}$ " female	2" female
A 1	15 mm compr. fitt.	22 mm compr. fitt.	1 $\frac{1}{4}$ " female	1 $\frac{1}{2}$ " female	2" female	2 $\frac{1}{2}$ " female
A 2	-	$\frac{3}{4}$ " female	-	-	-	-
A 3	-	22 mm compr. fitt.	-	-	-	-
Dimensions						
H (mm)	192,5	190	258	288	378	378
H1 (mm)	-	237	-	-	-	-
in mm						
h (mm)	106,7	98	150	188	270,5	289,5
h1 (mm)	-	145	-	-	-	-

T&P valve 2303

Components / Order numbers

- ① Head part
- ② Probe
- ③ Body

